

1 2 3 4 5 6

A

A

B

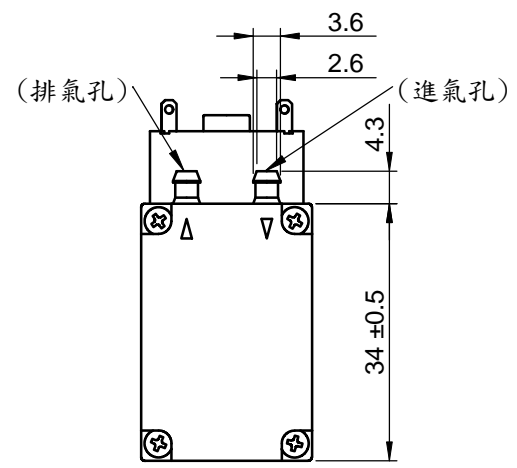
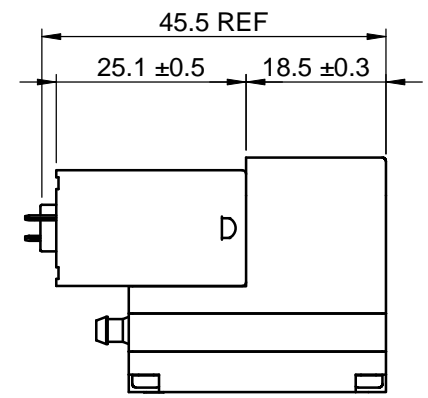
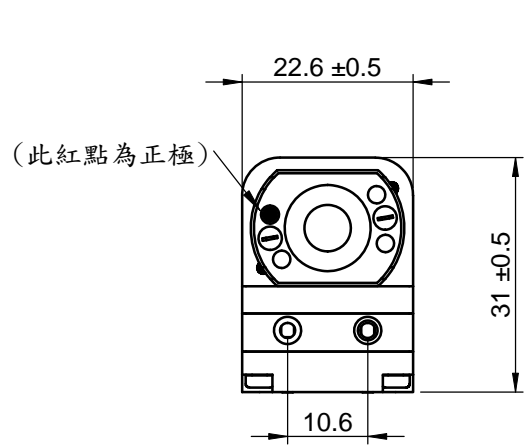
B

C

C

D

D



| | | | | | | | | |
|---------------|-------|--------|--|----|------------|--------------------------------|----------|---|
| MODEL | | 水流量 | THIRD ANGLE PROJECTION ALL DIMENSION ARE IN MM (UNLESS OTHERWISE SPECIFIED) | 製圖 | JOANNE | Cheshire Electric Company, LLC | | |
| JP20-L004A525 | | | | 設計 | | Part No JP20-L004A525 | | |
| NOMINAL | 6V DC | cc/sec | 繪製比例: 1:1 | 審核 | 2011/08/04 | Name Pump motor | REV. NO. | A |
| | | ≥ 8 | | 材料 | | | | |

1 2 3 4 5 6